

## Switchgear type RKS5-5/1U for rated voltage 500V



Switchgear type RKS5-5/1U is an electrical device designed for use in the underground mining pits in non-explosive conditions and on the ground.

Switchgear type RKS5-5/1U is designed for connecting and switching on receivers (especially fans, welding machines or self-propelled machines) in the 3-phase mine grid with insulated star point on the transformer (system IT) of rated grid voltage of 500V.

Switchgear type RKS5-5/1U is equipped with power protections against short-circuiting, overloading, lowering insulation resistance and grounding integrity control unit.

### TECHNICAL DATA:

ingress protection	IP54
insulation rated voltage of main circuits	660 V
insulation rated voltage of auxiliary circuits	250 V
supply rated voltage	500V, 50 Hz
maximum outlet load current	acc. to Table 1
number of 500 V outlets	5
dimensions/weight	
- hanging switchgear	1600 x 800 x 340mm (H x W x D)/120 kg
- "caged" hanging switchgear	1500 x 900 x 370mm (H x W x D)/130 kg

Table 1

Switchgear type	Maximum outlet rated current[A]					Rated current of clamps from the supply side (Inz) [A]
	Outlets					
	I	II	III	IV	V	
RKS5-5/1U	115	115	40	40	125	400

Note:

Load drains of the outlets can be adapted to the power of the receivers on request, however they can't exceed the values in table 1.

## CONSTRUCTION

The switchgear housing is made of steel sheets. The whole unit is based by a common support frame. The housing is equipped with brackets that allow for the switchgear to be hung on a chain or to be placed directly on the ground.

## MODE OF OPERATION

In the main 3x500V circuit the switchgear is equipped with a three-position switch: on-off-grounded. In the "grounded" position the clamps of fuses on the outlet are grounded.

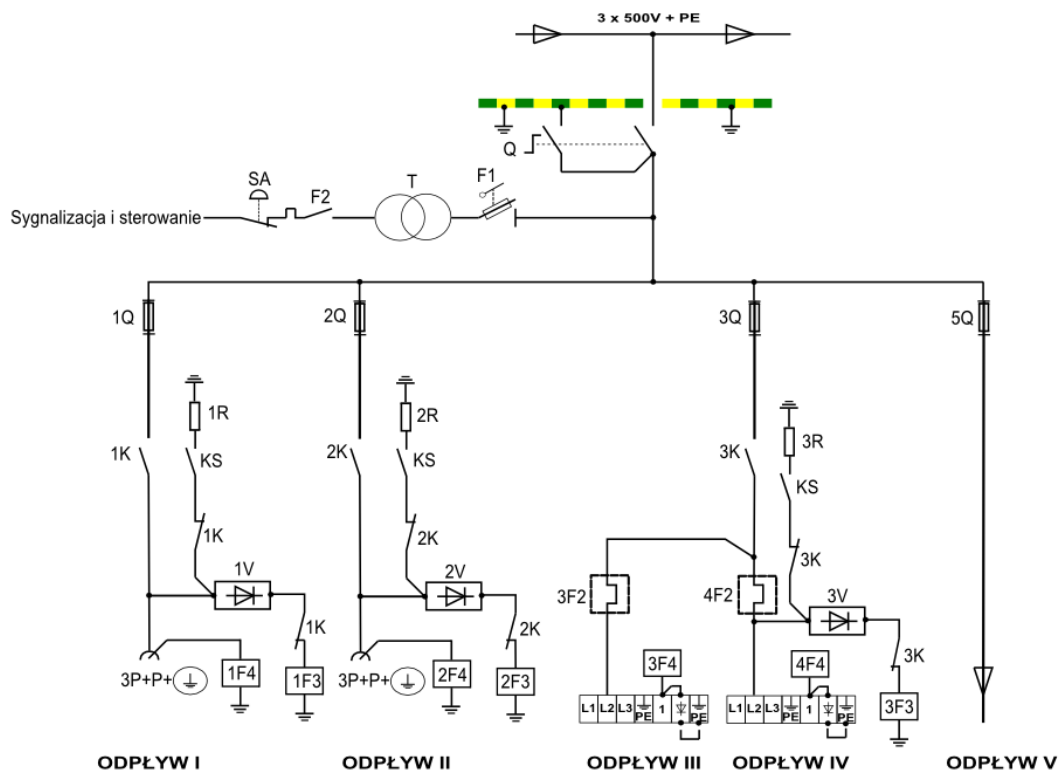
Outlet I and II are not equipped with overload protection therefore they can't be used to directly supply the drive-gear of the working machines.

## SCHEMATIC DIAGRAM

### Legend:

Sygnalizacja i sterowanie - **signalling and control**  
 Odpływ I,II,III,IV,V - **outlet I,II,III,IV,V**  
 Q - **disconnector**

1Q-5Q - **fuses**  
 1K-3K - **contactors**  
 3F2,4F2 - **overload protections**  
 1F3-3F3 - **lowering insulation resistance protections**



Orders should be submitted in writing or by fax to the address:

**Instal-Service PL**

Spółka z ograniczoną odpowiedzialnością  
 Spółka komandytowa  
 58-506 Jelenia Góra, ul. Wrocławska 15a  
 tel. (+48 075) 64-57-950  
 fax. (+48 075) 64-57-951  
 e-mai: instal@instal-service.pl